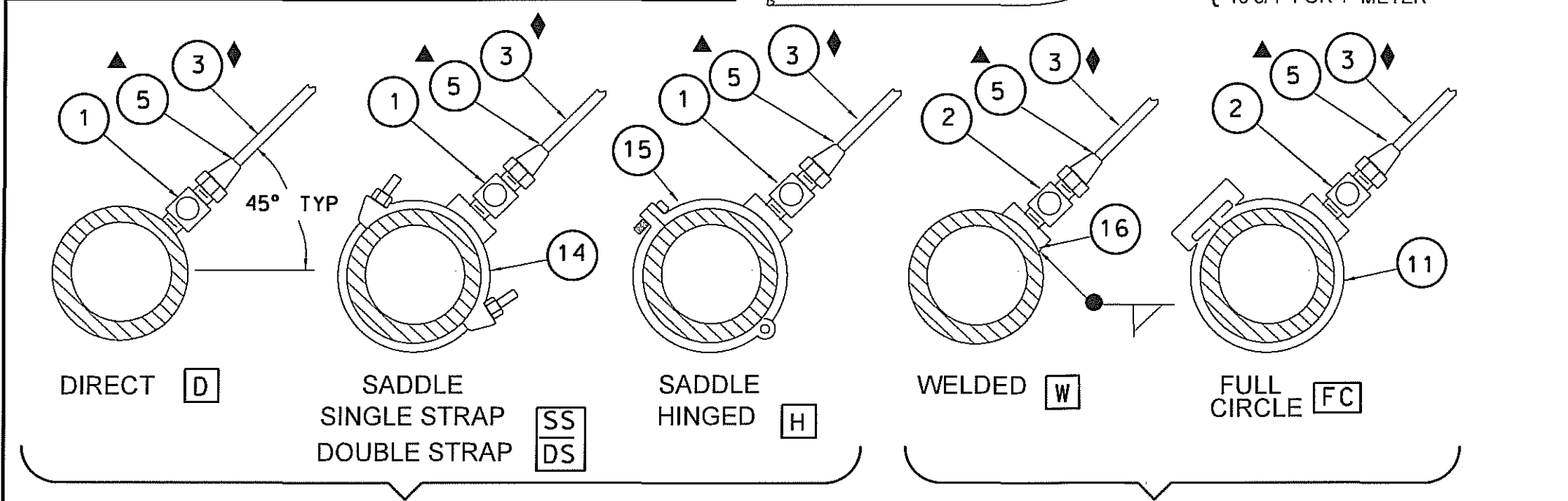


MATERIAL LIST	
#	DESCRIPTION
1	3/4", 1" OR 1-1/2" CORP STOP, CC X COM
2	3/4", 1" OR 1-1/2" CORP STOP, MIPT X COM
3	3/4", 1" OR 1-1/2" PIPE, PLASTIC PE CTS ◆
4	1-1/2" CPLG, COM
5	3/4", 1" OR 1-1/2" INSERT ▲ (COMPRESSION FITTINGS)
6	COUPLING, COM OR IT
7	COUPLING, MIPT X COM
8	3/4" OR 1" ANGLE METER STOP, MSN X COM
9	3/4" OR 1" COUPLING, METER, MIPT X MSN
10	METER BOX ***
11	CLAMP, FULL CIRCLE W/ TAP FIPT
12	3/4" X 3/4" X 1" OR 1" X 1" X 1-1/2" TEE, BULKHEAD, STD. BRASS
13	1" CPLG, MIPT X COM
14	SADDLE, SERVICE SSCC OR DSCC
15	SADDLE, SERVICE, HINGED
16	COUPLING, WELD FIPT
** FOR SERVICES W/ FIRE SPRINKLERS	
17	3/4" OR 1" SWING CHECK VALVE W/ BUNA SEAT (FIPT X FIPT)
ADDITIONAL FOR RECYCLED WATER (RW) SERVICES:	
R1	PAINT THE LID & INSIDE THE METER BOX PURPLE
R2	PLACE "RW" ADVISORY TAG ON RW METER
R3	PLACE "RW" ADVISORY TAG ON ALL RW METERS SERVING SITES RECEIVING RW
R4	INSTALL "RW" ADVISORY WARNING TAPE ABOVE RW LATERAL IF SERVICE LATERAL INSTALLED BY OPEN TRENCH
MSN = METER SWIVEL NUT & COM = COMPRESSION	
*** SEE MATERIAL SPECIFICATIONS LIST FOR SIZING OF METER BOXES.	



CORPORATION STOP THREADS (CC)

IRON PIPE THREADS (IPT)

SERVICE CONNECTION CHART

MAIN TYPE	CI/DICL						STEEL CEMENT LINED						SOMCL	*OD	AC						PVC	
	4"	6"	8"	10"	12"	UP	4"	6"	8"	10"	12"	UP			ALL	ALL	4"	6"	8"	10"		12"
3/4"	D	D	D	D	D	D	SS	SS	SS	SS	W	W	W	SS	SS	DS	DS	DS	DS	DS	DS	H
1"	D	D	D	D	D	D	SS	SS	SS	SS	W	W	W	SS	SS	SS	DS	DS	DS	DS	DS	H
1 1/2"	DS	DS	DS	D	D	D	DS	DS	DS	DS	W	W	W	DS	FC	DS	DS	DS	DS	DS	DS	H

◆ ALL SERVICES MUST HAVE TRACER WIRE INSTALLED PER SPECIFICATIONS

SERVICE PIPE SHALL BE BEDDED AND SHADED (4" MIN.) IN SAND

* STEEL PIPE NOT LINED: WS, SI, GG

AP	OPS
CK	AP
DATE	CK
REVISION	DATE
BY	SCALE

BY P. JOCHIM

DATE 7/31/2013

CK *[Signature]* 7/31/2013

SCALE SHOWN

OPERATIONS *[Signature]* 8/1/13

ENGINEERING *[Signature]* 8/1/13

VICE PRESIDENT OF ENGINEERING

REF. NOS.

DWG. NO. SER-1p

UTILITY BOX W/
READING LID
SEE MATERIAL SPECIFICATIONS
LIST FOR BOX SIZING

1/4" PLUG, BRASS

1/4" X 3" NIPPLE,
BRASS

3/4" OR 1" X 1/4"
BUSHING, BRASS

3/4" OR 1"
STRAIGHT METER
VALVE FIPT X FIPT

CONSUMER'S LINE

3/4" OR 1" NIPPLE
CLOSE, BRASS

3/4" OR 1" TEE,
BRASS

3/4" OR 1" METER CPLG
INSUL MSN X MALE IPT

3/4" OR 1" METER
(150 PSI WORKING PRESURE)

3/4" OR 1" METER CPLG
MSN X MALE

3/4" OR 1" REGULATOR,
FIPT X FIPT

1/4" BALL VALVE

3/4" OR 1" NIPPLE CLOSE, BRASS

3/4" OR 1" STRAINER FIPT X FIPT

3/4" OR 1" NIPPLE CLOSE, BRASS

3/4" OR 1" ANGLE METER STOP *
FIPT

2" MIN.

3" MIN.
CLEAR

24" MIN.

MAIN PIPE
(DEPTH VARIES)

BRASS PLUG

3/4" OR 1" COPPER OR PE TUBING
SERVICE LINE

3/4" OR 1" CORP STOP *

SEE STD. DWG. SER-1c OR SER-1p
FOR TYPE OF CONNECTION ON
ANGLE METER STOP & CORP STOP

NOTES:

SERVICE PIPE SHALL BE BEDDED AND SHADED (4" MIN.) IN SAND.

SET OUTLET PRESSURE TO 90 P.S.I. UNLESS OTHERWISE NOTED.

* RATED FOR 300 P.S.I. WORKING PRESSURE.

REVISION	DATE	CK	AP	OPS
SAN JOSE WATER COMPANY				
3/4" OR 1" SERVICE w/ PRESSURE REGULATOR				
BY	P. JDCHIM			
DATE	6/3/2013			
CK	EFELCA 6/5/13			
SCALE	NONE			
				REF. NOS.
				DWG. NO.
				SER-1r

UTILITY BOX w/ READING LID & EXTENSION (IF REQUIRED). SEE MATERIAL SPECIFICATIONS LIST FOR SIZING OF BOX.

1/4" PLUG, STD. BRASS

1/4" BALL VALVE

1/4" X 3" NIPPLE, BRASS

1-1/2" OR 2" X 1/4" BUSHING, STD. BRASS

CONSUMER'S LINE

1-1/2" OR 2" STRAIGHT METER VALVE OR CHECK VALVE w/ BUNA SEAT (FOR FIRE SPRINKLERS ONLY) FIPT X FIPT

1-1/2" OR 2" NIPPLE, CLOSE BRASS

1-1/2" OR 2" TEE, BRASS

1-1/2" OR 2" INSULATION KIT (COPPER SERVICES)

1-1/2" OR 2" METER FLG MALE

2"

3" MIN. CLEAR

BRASS PLUG

1-1/2" OR 2" NIPPLE, STD. CLOSE BRASS

1-1/2" OR 2" FLANGED METER

1-1/2" OR 2" REGULATOR FIPT X FIPT

1-1/2" OR 2" STRAINER FIPT X FIPT

1-1/2" OR 2" METER FLG MALE

1-1/2" OR 2" FLANGED ANGLE METER STOP *

1-1/2" OR 2" SERVICE LINE FROM MAIN

1-1/2" OR 2" CORP STOP *

SEE STD. DWG. SER-2c OR SER-2p FOR TYPE OF CONNECTION ON ANGLE METER STOP & CORP STOP
* RATED FOR 300 P.S.I. WORKING PRESSURE

MAIN PIPE (DEPTH VARIES)

SINGLE BOX CONFIGURATION

1-1/2" OR 2" METER FLG, FEMALE

2"

12" X 1-1/2" OR 2" NIPPLE, STD BRASS (LENGTH CAN BE VARIED AS NEEDED)

3" MIN. CLEAR

ALTERNATE CONFIGURATION TO SINGLE BOX LAYOUT FOR NARROW INSTALLATION AREAS.

ALL FITTINGS SAME AS ABOVE EXCEPT AS SHOWN.

SEE MATERIAL SPECIFICATIONS LIST FOR SIZING OF BOXES.

TANDEM BOX CONFIGURATION

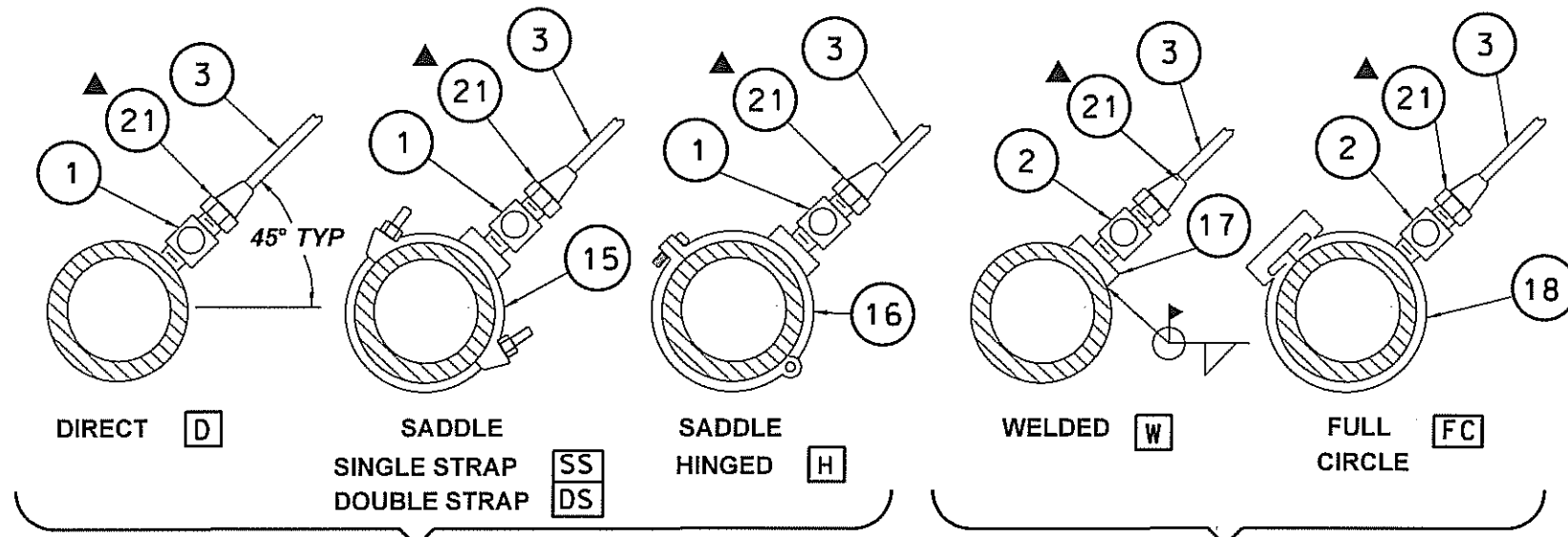
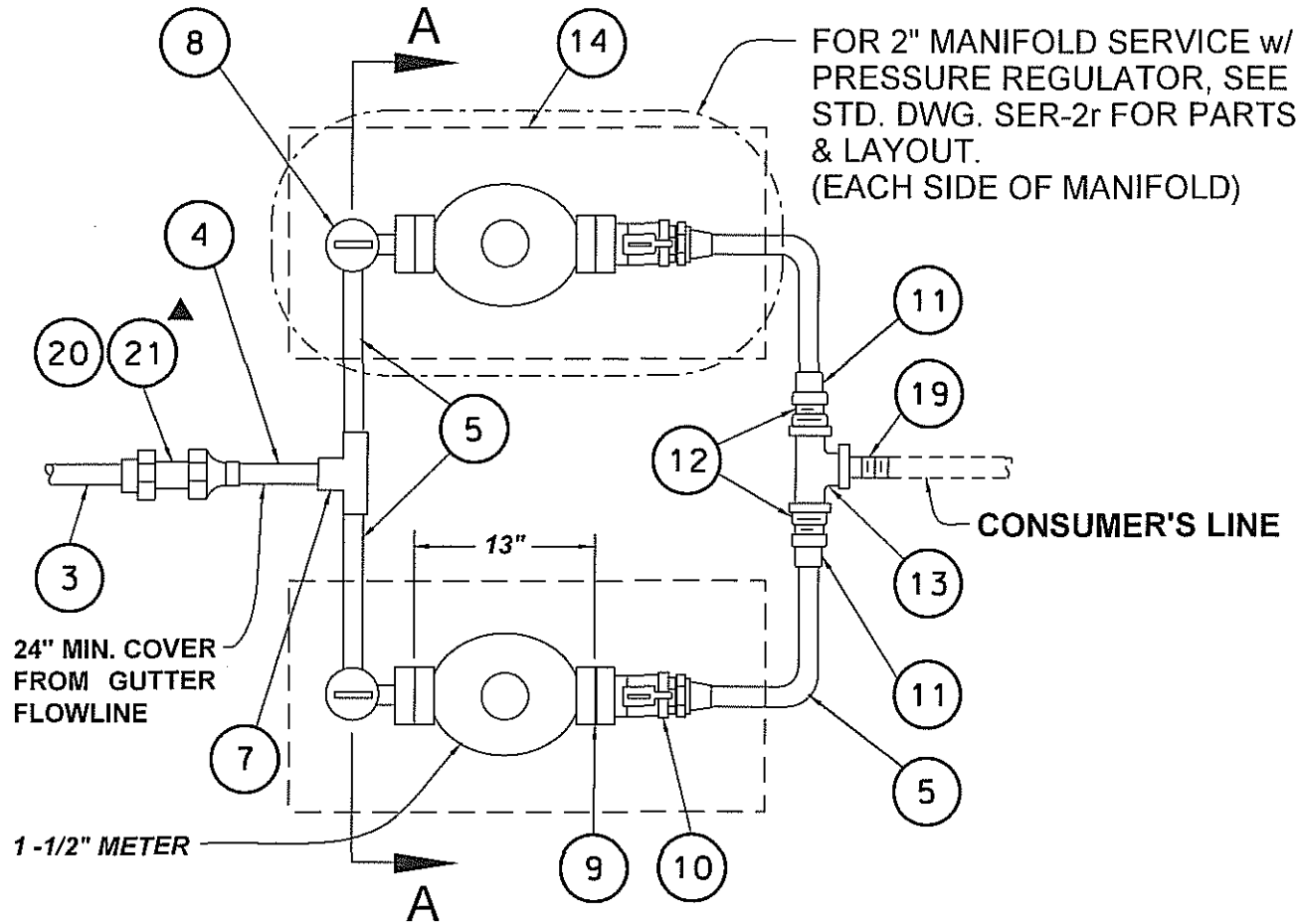
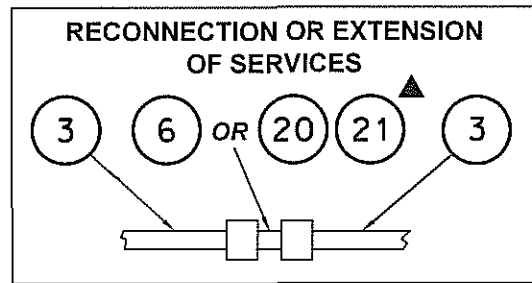
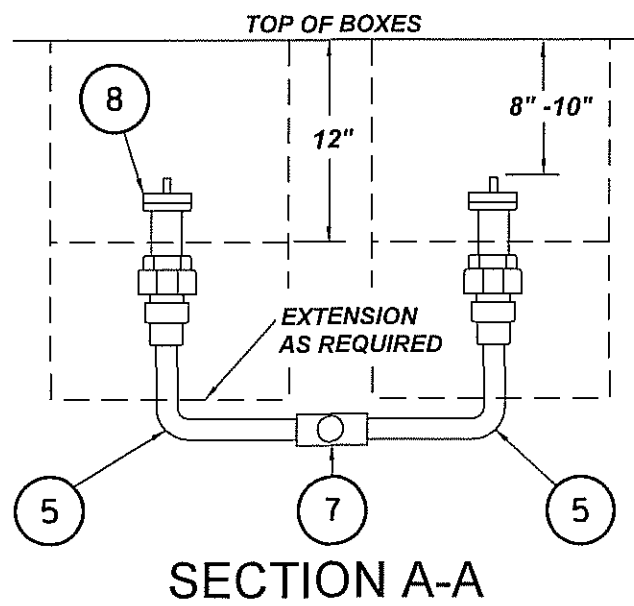
NOTES:

SET OUTLET PRESSURE TO 90 P.S.I. UNLESS OTHERWISE SPECIFIED.

SAN JOSE WATER COMPANY

1-1/2" OR 2" SERVICE w/ PRESSURE REGULATOR

REVISION	DATE	CK	BY	SCALE	REF. NOS.	DWG. NO.
			P. JOCHIM	NONE		SER-2r
	6/3/2013		<i>[Signature]</i>			
	6/5/13		<i>[Signature]</i>			
	6/5/13		<i>[Signature]</i>			
	7/19/13		<i>[Signature]</i>			



CORPORATION STOP THREADS (CC)

IRON PIPE THREADS (IPT)

SERVICE CONNECTION CHART																					
TYPE	CI/DICL						STEEL CEMENT LINED		SOMCL	*OD	AC					PVC					
SIZE	4"	6"	8"	10"	12"	UP	4"	6"	8"	10"	12"	UP	ALL	ALL	4"	6"	8"	10"	12"	UP	ALL
2"	DS	DS	DS	D	D	D	DS	DS	DS	DS	W	D	W	DS	FC	FC	DS	DS	DS	DS	H

* STEEL PIPE NOT LINED: WS, SI & GG

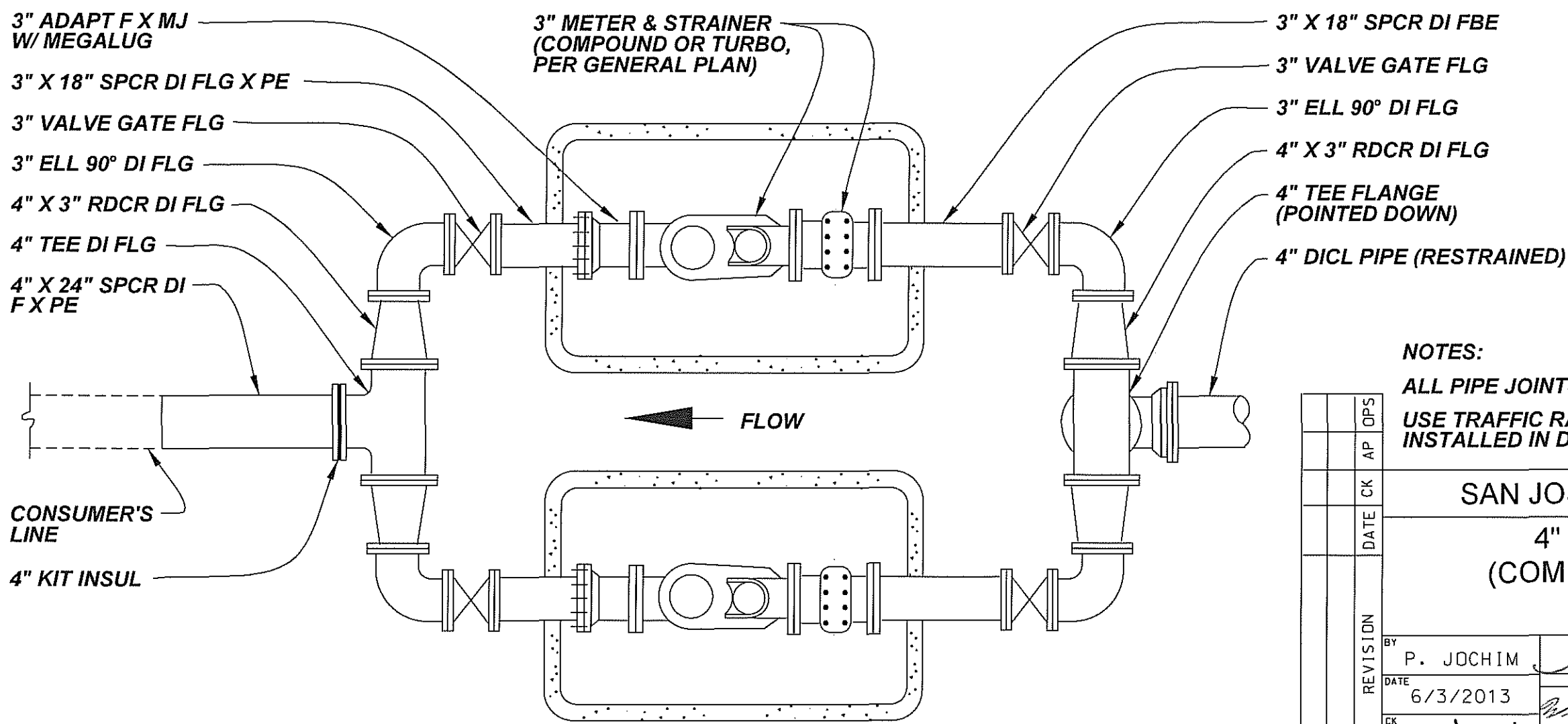
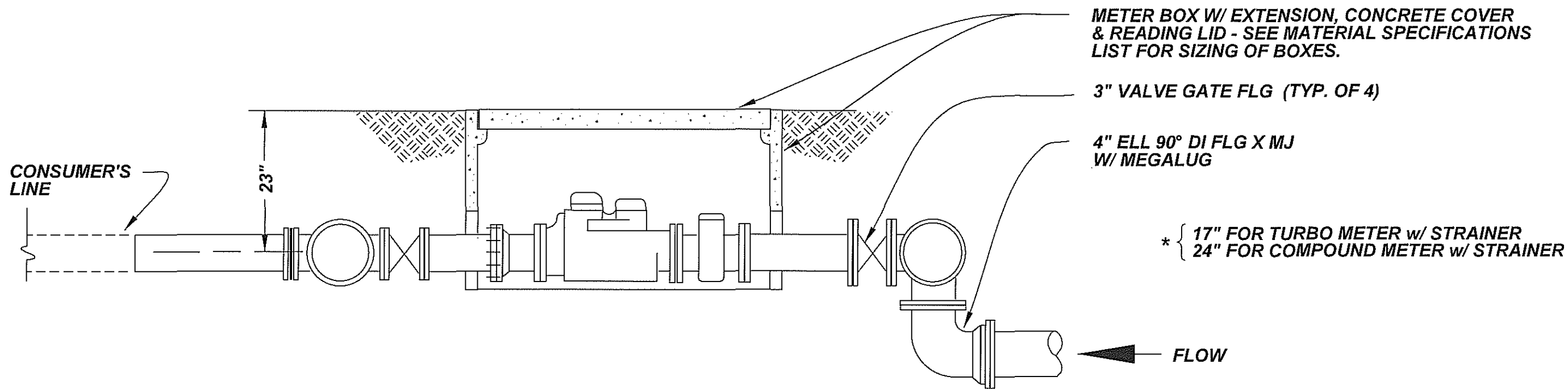
MATERIAL LIST	
#	DESCRIPTION
1	2" CORP STOP: CC X FLR (COPPER SERVICE) OR CC X COM (PLASTIC SERVICE)
2	2" CORP STOP: MIPT X FLR (COPPER SERVICE) OR MIPT X COM (PLASTIC SERVICE)
3	2" PIPE, COPPER TYPE K OR PLASTIC PE CTS
4	2" PIPE, COPPER TYPE K
5	1-1/2" PIPE, COPPER TYPE K
6	2" COUPLING, STREAMLINE, FLR X FLR
7	1-1/2" X 1-1/2" X 2" TEE, STREAMLINE FLR X FLR X FLR
8	1-1/2" ANGLE METER STOP, METER FLANGE X FLR
9	1-1/2" KIT, INSULATING (EACH METER)
10	1-1/2" STRAIGHT METER VALVE, METER FLG X FLR
11	1-1/2" COUPLING, STREAMLINE MIPT X FLR
12	2" X 1-1/2" BUSHING, BRASS MIPT X FIPT
13	2" TEE, BRASS, FIPT X FIPT X FIPT
14	METER BOX *
15	SADDLE, SERVICE SSCC OR DSCC
16	SADDLE, SERVICE CC
17	COUPLING, WELD FIPT
18	CLAMP, FULL CIRCLE w/ TAP FIPT
19	2" NIPPLE, BRASS CLOSE
20	2" COUPLING, COM X COM (PLASTIC TO PLASTIC) OR COM X FLR (PLASTIC TO COPPER)
21	2" INSERT ▲ (COMPRESSION FITTINGS ON PLASTIC SERVICES)

* REFER TO MATERIAL SPECIFICATIONS LIST FOR SIZING OF METER BOXES.

◆ ALL PLASTIC SERVICES MUST HAVE TRACER WIRE INSTALLED PER SPECIFICATIONS.

SERVICE PIPE SHALL BE BEDDED AND SHADED (4" MIN) IN SAND.

REVISION	DATE	CK	AP	OPS	<p style="text-align: center;">SAN JOSE WATER COMPANY</p> <p style="text-align: center;">2" MANIFOLD SERVICE w/ 2 - 1-1/2" METERS</p>	REF. NOS.
BY	P. JOCHIM					
DATE	7/2/2013					
CK	EFEVIA 7/2/13					
SCALE	NONE					
						DWG. NO.
						SER-2M



* { 17" FOR TURBO METER w/ STRAINER
24" FOR COMPOUND METER w/ STRAINER

NOTES:

ALL PIPE JOINTS AND FITTINGS ARE RESTRAINED
USE TRAFFIC RATED BOXES FOR BOXES
INSTALLED IN DRIVEWAYS OR SIDEWALKS

REVISION	DATE	CK	AP	OPS
SAN JOSE WATER COMPANY				
4" SERVICE w/ 2 - 3" (COMPOUND OR TURBO) METERS				
BY	P. JOCHIM			REF. NOS.
DATE	6/3/2013			
CK	<i>[Signature]</i> 6/19/13			DWG. NO.
SCALE	NONE			SER-4
				<i>[Signature]</i> 7/19/13 VICE PRESIDENT OF ENGINEERING

4" ADAPT F X MJ W/ MEGALUG

4" X 18" SPCR DI FLG X PE

4" VALVE GATE FLG

4" ELL 90° DI FLG

6" X 4" RDCR DI FLG

6" X 24" SPCR DI F X PE

ANCHOR BLOCK

FLOW

SAME FITTINGS

6" KIT INSUL

6" TEE DI FLG

4" COMPOUND METER & STRAINER *
OR 4" TURBO METER & STRAINER

4" X 18" SPCR DI FBE

4" VALVE GATE FLG

4" ELL 90° DI FLG

6" X 4" RDCR DI FLG

6" TEE FLANGE (POINTED DOWN)

6" DICL PIPE (RESTRAINED)

* { 23" FOR TURBO METER w/ STRAINER
29" FOR COMPOUND METER w/ STRAINER

METER BOX W/ EXTENSION, CONCRETE COVER
& READING LID. SEE MATERIAL SPECIFICATIONS
LIST FOR SIZING OF BOXES.

4" VALVE GATE FLG

6" ELL 90° DI F X MJ
W/ MEGALUG

6" DICL (RESTRAINED)

6" MEGALUG

CONSUMER'S
LINE

23" MIN.

CENTER METER,
STRAINER &
ADAPTER IN BOX

35" x 35" x 35" ANCHOR BLOCK PER STD.
DWG. MAIN-LAB. REFER TO PROJECT IF
SIZE OF BLOCK CAN BE REDUCED.

NOTES:

ALL PIPE JOINTS AND FITTINGS ARE RESTRAINED

USE TRAFFIC RATED BOXES FOR BOXES
INSTALLED IN DRIVEWAYS OR SIDEWALKS

SAN JOSE WATER COMPANY

6" SERVICE w/ 2 - 4"
(COMPOUND OR TURBO)
METERS

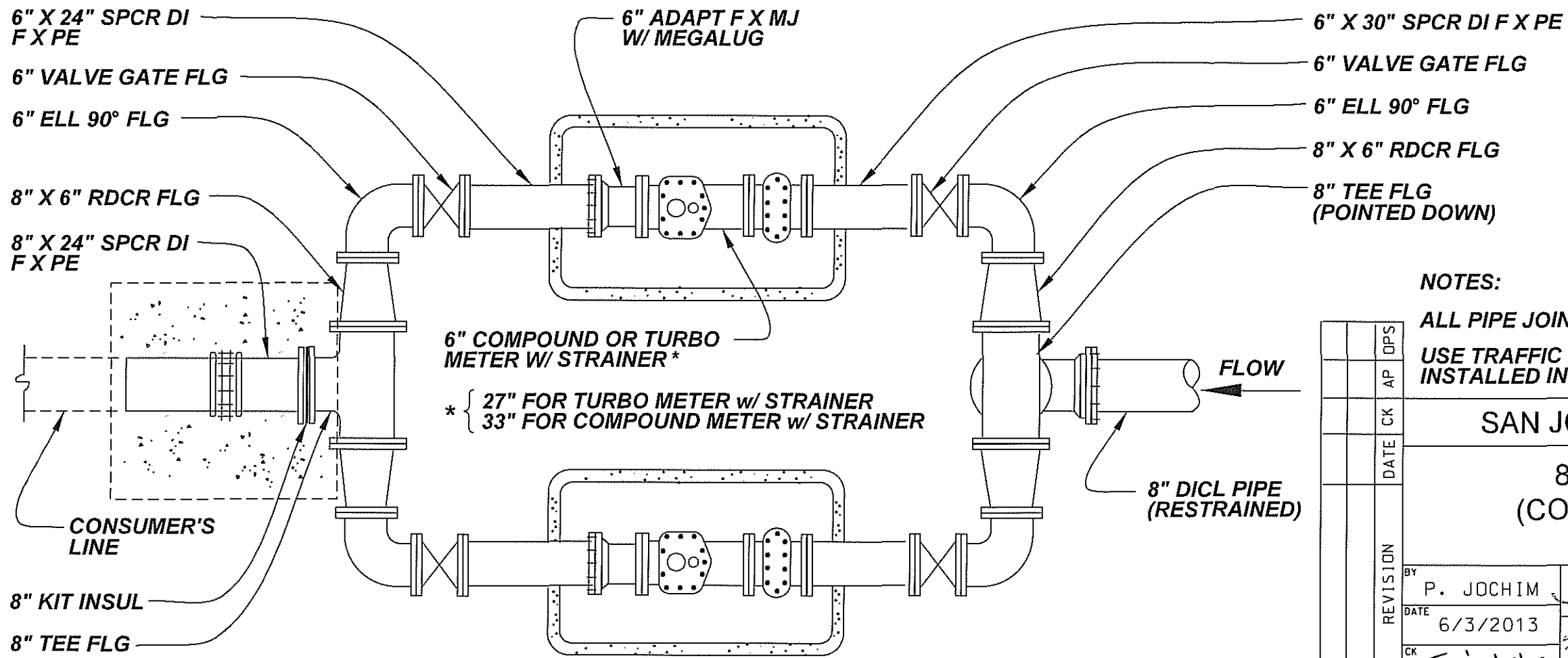
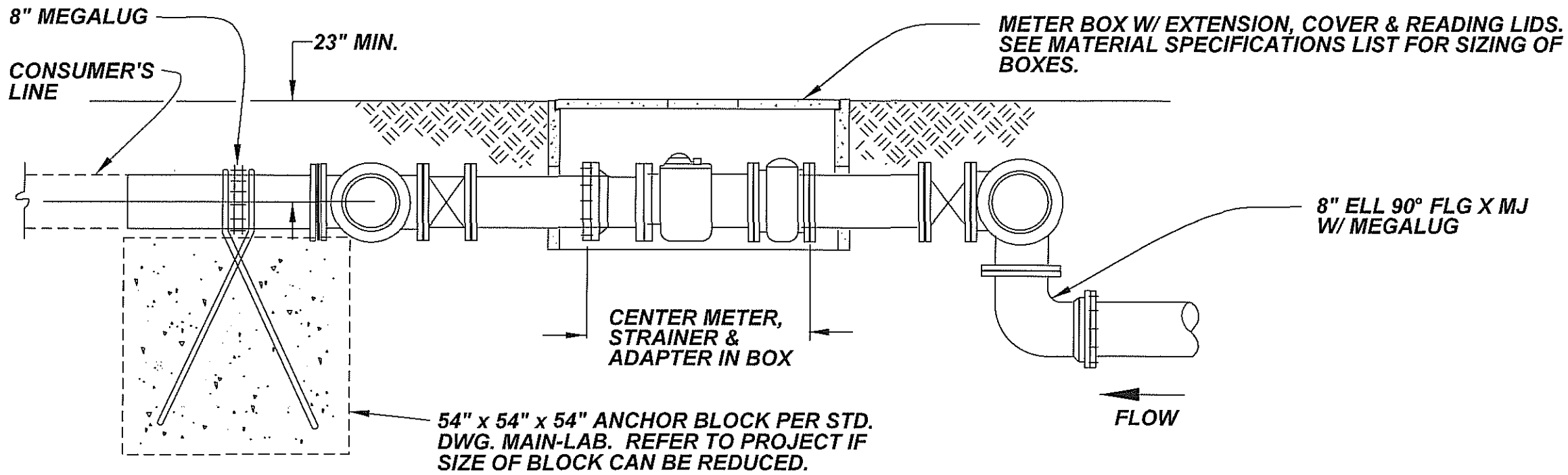
REVISION	DATE	CK	AP	OPS
BY	P. JOCHIM			
DATE	6/3/2013			
CK	6/14/13			
SCALE	NONE			
BY				
DATE				
CK				
AP				
OPS				

REF. NOS.

DWG. NO.

SER-6

Effective 00/03/2013

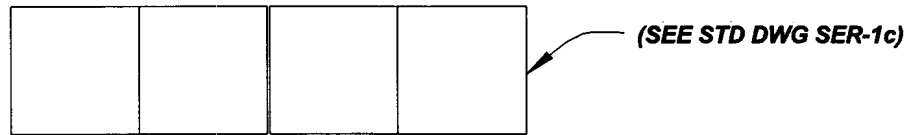


NOTES:

ALL PIPE JOINTS AND FITTINGS ARE RESTRAINED
 USE TRAFFIC RATED BOXES FOR ALL BOXES
 INSTALLED IN DRIVEWAYS OR SIDEWALKS

REVISION	DATE	CK	AP	DPS
BY P. JOCHIM	6/3/2013			
CK <i>[Signature]</i> 6/14/13				
BY	SCALE NONE			

SAN JOSE WATER COMPANY	
8" SERVICE w/ 2 - 6" (COMPOUND OR TURBO) METERS	
REF. NOS.	
DWG. NO.	SER-8



NOTE:

1. ALL PIPE IS COPPER TYPE "K".
2. ALL FITTINGS ARE STREAMLINE.

1" X 3/4" X 3/4" TEE

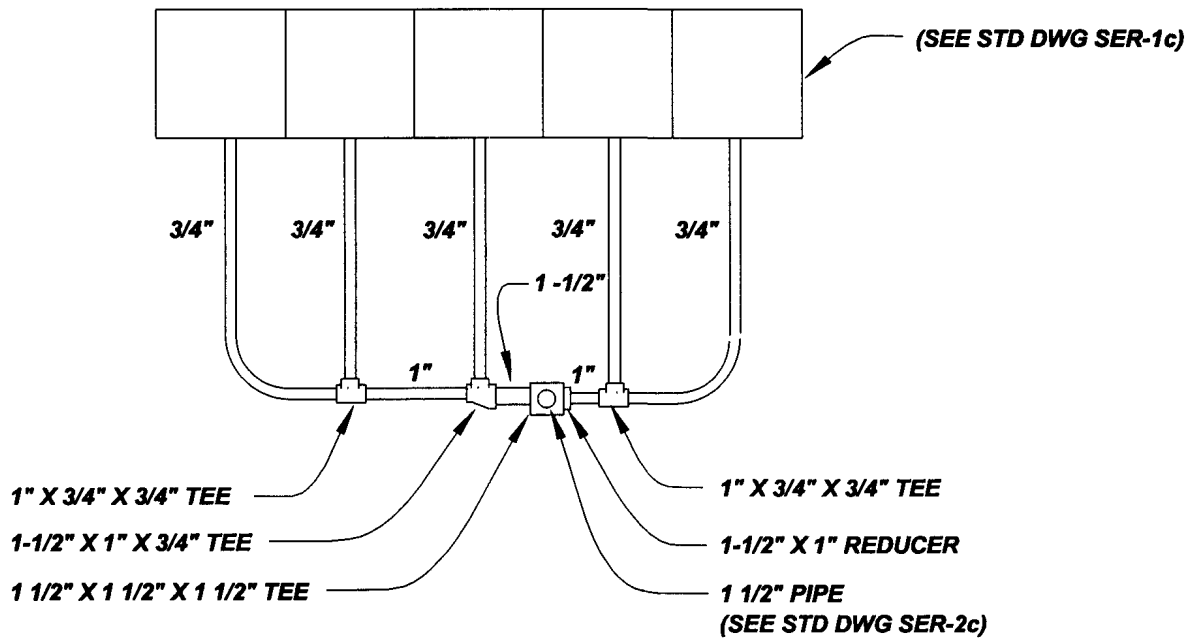
1" X 1" X 1 1/2" TEE

1" X 3/4" X 3/4" TEE

1 1/2" PIPE
(SEE STD DWG SER-2c)

4-3/4" METER BANK
(1 1/2" Service w/4-3/4" offsets)

REVISION	DATE	CK	AP	OPS
SAN JOSE WATER COMPANY				
MANIFOLD SERVICE 4-3/4" METERS				
BY	P. JOCHIM	<i>P. Jochim</i>		REF. NOS.
DATE	15 NOV '04			D-5-609(4)
CK	EUM	<i>William S. ...</i>		DWG. NO.
BY	SCALE NONE	<i>William S. ...</i>		SER-M4
		CHIEF ENGINEER		



NOTE:

1. ALL PIPE IS COPPER TYPE "K".
2. ALL FITTINGS ARE STREAMLINE.

**5-3/4" METER BANK
(1 1/2" Service w/5-3/4" offsets)**

REVISION	DATE	CK	AP	OPS
SAN JOSE WATER COMPANY				
MANIFOLD SERVICE 5-3/4" METERS				
BY	P. JOCHIM	<i>[Signature]</i>		REF. NOS.
DATE	15 NOV '04	OPERATIONS		D-5-609(5)
CK	ELM	<i>[Signature]</i>		DWG. NO.
BY	SCALE NONE	<i>[Signature]</i>		SER-M5
		CHIEF ENGINEER		

